

<b>AMENDMENT OF SOLICITATION/MODIFICATION OF CONTRACT</b>				1. CONTRACT ID CODE	PAGE 1 OF 4 PAGES
2. AMENDMENT/MODIFICATION NO. AMENDMENT NO. 0001		3. EFFECTIVE DATE 07/31/18	4. REQUISITION/PURCHASE REQ. NO.	5. PROJECT NO. (If applicable) 18-0028	
6. ISSUED BY NAVFAC Mid-Atlantic Resident Officer in Charge of Construction 1005 Michael Road Camp Lejeune, NC 28547-2521		CODE N40085	7. ADMINISTERED BY (If other than Item 6) See Item 6		
8. NAME AND ADDRESS OF CONTRACTOR (No., street, county, State and ZIP Code)				(X)	9A. AMENDMENT OF SOLICITATION NO. N40085-18-R-6220
				X	9B. DATED (SEE ITEM 11) 07/25/18
					10A. MODIFICATION OF CONTRACT/ORDER NO.
					10B. DATED (SEE ITEM 11)
CODE		FACILITY CODE			

**11. THIS ITEM ONLY APPLIES TO AMENDMENTS OF SOLICITATIONS**

The above numbered solicitation is amended as set forth in Item 14. The hour and date specified for receipt of Offers  is extended,  is not extended.  
 Offers must acknowledge receipt of this amendment prior to the hour and date specified in the solicitation or as amended, by one of the following methods:  
 (a) By completing items 8 and 15, and returning 1 copies of the amendment; (b) By acknowledging receipt of this amendment on each copy of the offer submitted;  
 or (c) By separate letter or telegram which includes a reference to the solicitation and amendment numbers. FAILURE OF YOUR ACKNOWLEDGMENT TO BE RECEIVED AT THE PLACE DESIGNATED FOR THE RECEIPT OF OFFERS PRIOR TO THE HOUR AND DATE SPECIFIED MAY RESULT IN REJECTION OF YOUR OFFER. If by virtue of this amendment your desire to change an offer already submitted, such change may be made by telegram or letter, provided each telegram or letter makes reference to the solicitation and this amendment, and is received prior to the opening hour and date specified.

12. ACCOUNTING AND APPROPRIATION DATA (If required)

**13. THIS ITEM ONLY APPLIES TO MODIFICATION OF CONTRACTS/ORDERS.  
IT MODIFIES THE CONTRACT/ORDER NO. AS DESCRIBED IN ITEM 14.**

CHECK ONE	A. THIS CHANGE ORDER IS ISSUED PURSUANT TO: (Specify authority) THE CHANGES SET FORTH IN ITEM 14 ARE MADE IN THE CONTRACT ORDER NO. IN ITEM 10A.
	B. THE ABOVE NUMBERED CONTRACT/ORDER IS MODIFIED TO REFLECT THE ADMINISTRATIVE CHANGES (such as changes in paying office, appropriation date, etc.) SET FORTH IN ITEM 14, PURSUANT TO THE AUTHORITY OF FAR 43.103(b).
	C. THIS SUPPLEMENTAL AGREEMENT IS ENTERED INTO PURSUANT TO AUTHORITY OF:
	D. OTHER (Specify type of modification and authority)

E. IMPORTANT: Contractor  is not,  is required to sign this document and return \_\_\_\_\_ copies to the issuing office.

14. DESCRIPTION OF AMENDMENT/MODIFICATION (Organized by UCF section headings, including solicitation/contract subject matter where feasible.)

18-0028, Additional Patient Parking, Area D, NH100  
 Amendment 0001, Delete and Replace Two Drawings

The time and date for receipt of proposals remains 1400, 8 August 2018.

This amendment should be acknowledged when your proposal is submitted. Failure to acknowledge the amendment may constitute grounds for rejection of a proposal.

See Continuation Page(s)

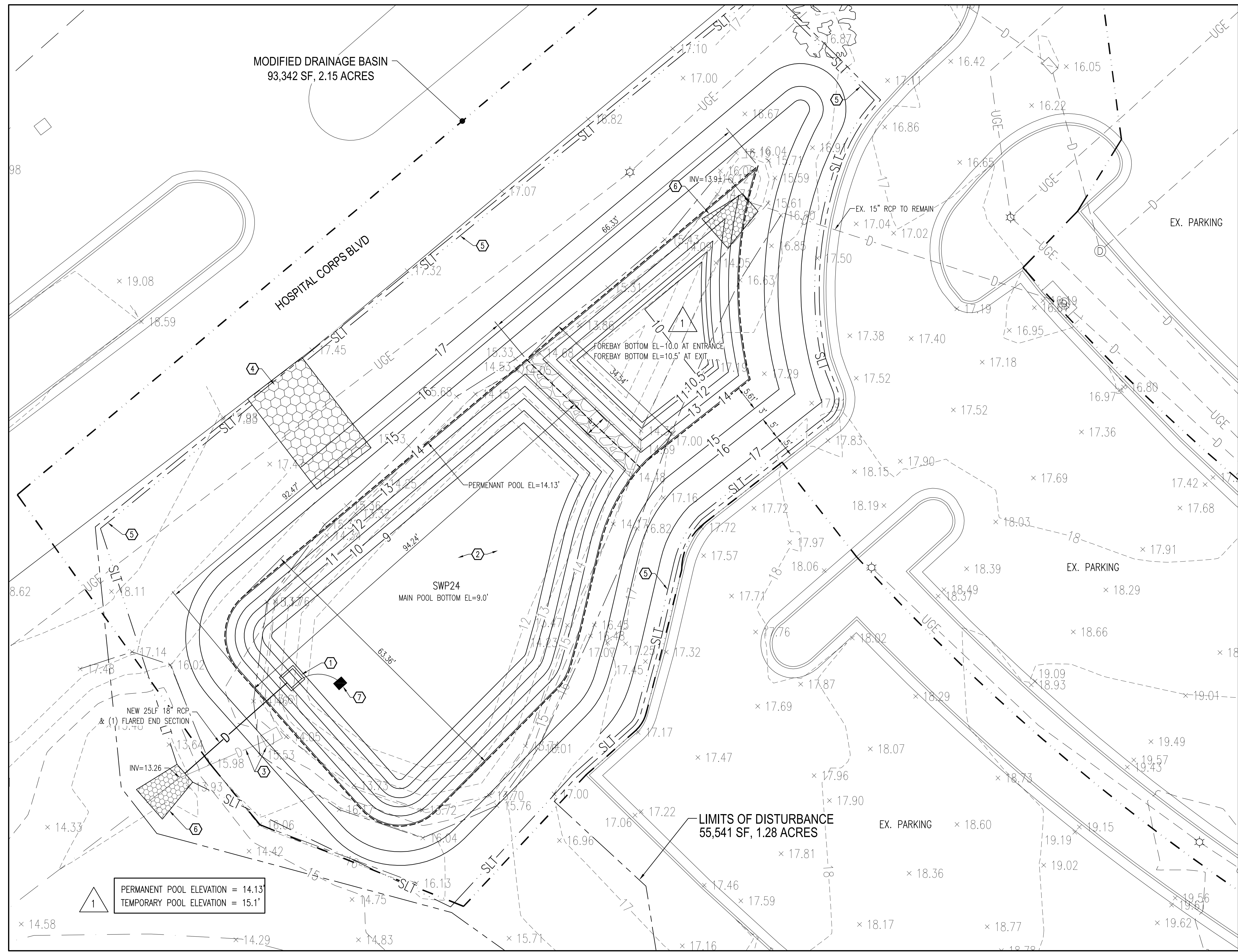
Except as provided herein, all terms and conditions of the document referenced in Item 9A or 10A, as heretofore changed, remains unchanged and in full force and effect.

15A. NAME AND TITLE OF SIGNER (Type or print)		16A. NAME AND TITLE OF CONTRACTING OFFICER (Type or print)	
15B. CONTRACTOR/OFFEROR		16B. UNITED STATES OF AMERICA	
15C. DATE SIGNED		16C. DATE SIGNED	
(Signature of person authorized to sign)		(Signature of Contracting Officer)	

**CONTINUATION SHEET**

1. Delete sheets 60021498 and 60021499 and replace with the attached, revised sheets 60021498 and 60021499.
2. All other terms and conditions remain unchanged.

REVISIONS			
SYM		DATE	APPROVED
1	NCDEQ COMMENTS	7-26-18	JKA



- GENERAL CONSTRUCTION NOTES:**
1. THE LOCATION AND DEPTHS OF EXISTING UTILITIES SHOWN ARE APPROXIMATE. THE CONTRACTOR SHALL BE RESPONSIBLE FOR SCANNING THE AREA OF WORK TO IDENTIFY TO HIS OWN SATISFACTION THE EXTENT OF UTILITIES PRESENT INCLUDING THE UTILITIES INDICATED TO BE PRESENT, THOSE NOT SHOWN, AND THOSE SHOWN TO BE IN A DIFFERENT LOCATION.
  2. PHYSICAL SITE FEATURES OUTSIDE THE AREA OF WORK OR THOSE FEATURES NOT RELEVANT TO THE WORK BEING PERFORMED ARE NOT SHOWN FOR CLARITY.
  3. THE CONTRACTOR SHALL BE RESPONSIBLE FOR MAINTAINING TRAFFIC FLOW DURING THE COURSE OF CONSTRUCTION. THE CONTRACTOR SHALL DEVELOP A TRAFFIC CONTROL PLAN TO BE SUBMITTED TO THE CONTRACTING OFFICER FOR APPROVAL PRIOR TO STARTING CONSTRUCTION.
  4. ALL EXISTING VEGETATED AREAS DISTURBED DURING CONSTRUCTION SHALL BE REVEGETATED IN ACCORDANCE WITH THE PROJECT VEGETATION PLAN, SEE DETAIL F, SHEET CG501.
  5. COMPLETE ALL TRENCH SECTIONS IN ACCORDANCE WITH DETAIL J, SHEET CS501.
  6. GRADE EVENLY BETWEEN ALL SPOT ELEVATIONS SHOWN.

- SPECIFIC WORK ITEMS (THIS SHEET):**
- 1 NEW OUTLET STRUCTURE, SEE DETAIL A, SHEET CG301.
  - 2 EXISTING STORMWATER BASIN TO BE ENLARGED, SEE CROSS SECTION, DETAIL B, SHEET CG301.
  - 3 EXISTING OUTLET STRUCTURE AND OUTLET PIPE TO BE REMOVED
  - 4 INSTALL GRAVEL CONTROL ENTRANCE. SEE DETAIL B, SHEET CG501.
  - 5 INSTALL SILT FENCE. SEE DETAIL A, SHEET CG501.
  - 6 INSTALL RIP RAP OUTLET PROTECTION. SEE DETAIL G, SHEET CG501.
  - 7 POND SKIMMER DEVICE, SEE DETAIL C, SHEET CG301.

- EROSION CONTROL NOTES:**  
**SCHEDULE OF EROSION AND SEDIMENTATION CONTROL ACTIVITIES**
1. INSTALL GRAVEL CONTROL ENTRANCE AT DESIGNATED PROJECT ENTRANCE.
  2. INSTALL SILT FENCING, DROP INLET PROTECTION AND CHECK DAMS AS INDICATED.
  3. CONSTRUCT SITE IMPROVEMENTS.
  4. STABILIZE AND SEED ALL AREAS NOT TO BE FURTHER DISTURBED BY CONSTRUCTION ACTIVITIES PER THE VEGETATION PLAN AND STATED TIME CONSTRAINTS.
  5. INSTALL SOD TO ESTABLISH FINAL VEGETATION.
  6. ADDITIONAL MISCELLANEOUS EROSION CONTROL MEASURES MAY BE REQUIRED WHEN DEEMED NECESSARY BY THE CONTRACTING OFFICER OR CONTRACTOR.
  7. REMOVE SILT FENCING, GRAVEL CONTROL ENTRANCE AND CHECK DAMS ONCE VEGETATION IS 95% ESTABLISHED.
  8. REMOVE ACCUMULATED SEDIMENT FROM STORMWATER POND UPON ESTABLISHMENT OF PERMANENT VEGETATION.

- MAINTENANCE PLAN**
1. ALL EROSION AND SEDIMENTATION CONTROL DEVICES WILL BE CHECKED FOR STABILITY AND OPERATION FOLLOWING EVERY RUNOFF-PRODUCING RAINFALL EVENT BUT IN NO CASE LESS THAN ONCE EVERY WEEK. ANY NEEDED REPAIRS WILL BE MADE IMMEDIATELY TO MAINTAIN ALL DEVICES IN THE OPERATIONAL CONDITIONS INTENDED.
  2. ALL AREAS WILL BE STABILIZED IN ACCORDANCE TO THE PROJECT SPECIFICATIONS AND THE VEGETATION PLAN IN ORDER TO ESTABLISH AND MAINTAIN A STABLE GROUND COVER. ANY SEDIMENT TRACKED ONTO THE ADJACENT ASPHALT ROAD SHALL BE REMOVED ON A DAILY BASIS.
  3. SEDIMENT SHALL BE REMOVED FROM BEHIND SILT FENCING, CHECK DAMS, AND INLET PROTECTION PRIOR TO THE SEDIMENT ACCUMULATING TO A MAXIMUM DEPTH OF SIX INCHES.

**SPECIAL SEEDING NOTE:**  
 ALL DENuded AREAS WILL, WITHIN 7 CALENDAR DAYS OF COMPLETION OF ANY PHASE OF GRADING OR CEASING OF GRADING ACTIVITIES, BE PLANTED AND PROVIDED WITH TEMPORARY OR PERMANENT GROUND COVER, DEVICES, OR STRUCTURES SUFFICIENT TO RESTRAIN EROSION.  
 ALL DENuded AREAS WILL, WITHIN 7 DAYS OF COMPLETION OF CONSTRUCTION, BE PROVIDED PERMANENT GROUND COVER.

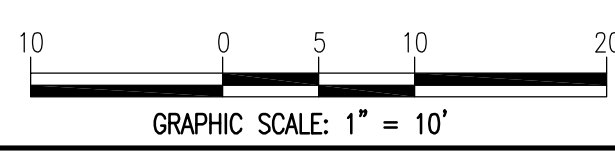
- NOTE:**  
 1. ALL FILL MATERIAL NEEDED TO EXECUTE THIS PROJECT SHALL BE OBTAINED FROM AN NCDENR LAND QUALITY SECTION PERMITTED BORROW PIT.
- NOTE:**  
 NO WETLANDS EXIST WITHIN THE LIMITS OF DISTURBANCE.
- NOTE:**  
 PROJECT DRAINS TO NORTHEAST CREEK  
 SURFACE WATER CLASSIFICATION IS SC, NSW, HQW  
 STREAM INDEX IS 19-16-(3.5)

PERMANENT POOL ELEVATION = 14.13'  
 TEMPORARY POOL ELEVATION = 15.1'

A ENLARGED SITE PLAN-STORMWATER POND  
 CG102/CG102 SCALE: 1"=10'



POND SHALL BE RESTORED TO ITS DESIGN ELEVATIONS AT THE CONCLUSION OF CONSTRUCTION OPERATIONS.



**DISCLOSURE OF INFORMATION**  
 THE CONTRACTOR SHALL COMPLY AS FOLLOWS:

A. THE CONTRACTOR SHALL NOT RELEASE TO ANYONE OUTSIDE THE CONTRACTOR'S ORGANIZATION ANY UNCLASSIFIED INFORMATION, REGARDLESS OF THE MEDIUM (E.G. FILM, TAPE, DOCUMENT), PERTAINING TO ANY PART OF THIS CONTRACT OR ANY PROGRAM RELATED TO THIS CONTRACT, UNLESS

1. THE CONTRACTING OFFICER HAS GIVEN PRIOR WRITTEN APPROVAL; OR
2. THE INFORMATION IS OTHERWISE IN THE PUBLIC DOMAIN BEFORE THE DATE OF RELEASE.

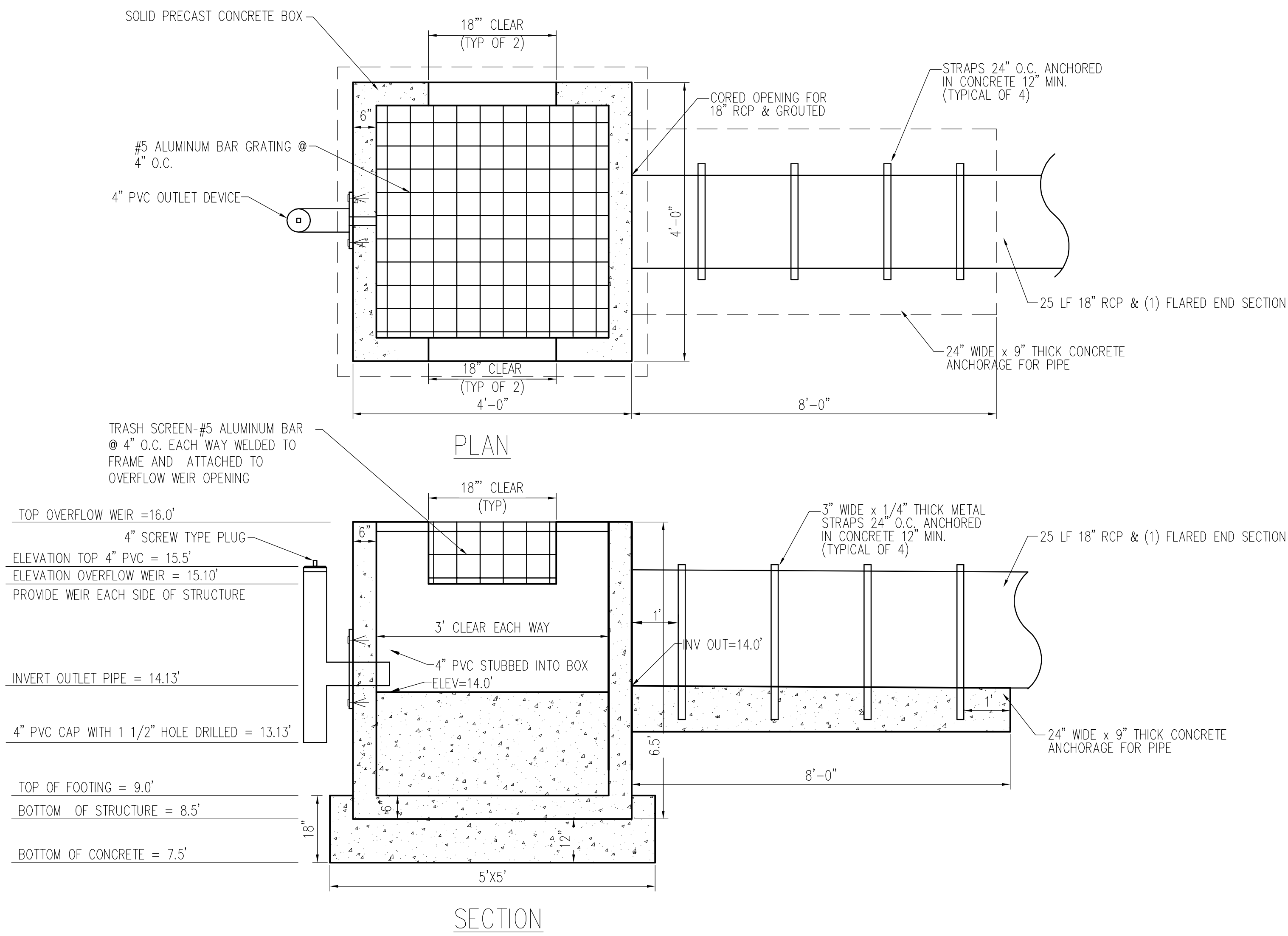
B. REQUESTS FOR APPROVAL SHALL IDENTIFY THE SPECIFIC INFORMATION TO BE RELEASED, THE MEDIUM TO BE USED, AND THE PURPOSE FOR THE RELEASE. THE CONTRACTOR SHALL SUBMIT ITS REQUEST TO THE CONTRACTING OFFICER AT LEAST 45 DAYS BEFORE THE PROPOSED DATE OF RELEASE.

C. THE CONTRACTOR AGREES TO INCLUDE A SIMILAR REQUIREMENT IN EACH SUBCONTRACT UNDER THIS CONTRACT. SUBCONTRACTORS SHALL SUBMIT REQUESTS FOR AUTHORIZATION TO RELEASE THROUGH THE PRIME CONTRACTOR TO THE CONTRACTING OFFICER.

AVOLIS ENGINEERING, P.A. P.O. BOX 15564 NEW BERN, NC 28561 PH: 252.833.0088 DES: J. K. AVOLIS, P.E. DIR: MSP / WFF CHK: J. C. AVOLIS, P.E. SUBMITTED BY: DESIGN DIR: T. H. BURTON, P.E. APPROVED: PWO OR DICC SATISFACTORY TO:		LICENSE NO. C-20706  DEPARTMENT OF THE NAVY NAVAL FACILITIES ENGINEERING COMMAND <b>MARINE CORPS BASE</b> CAMP LEJEUNE, NORTH CAROLINA <b>DESIGN ADDITIONAL PATIENT PARKING, AREA D, NH100</b> <b>MARINE CORPS BASE CAMP LEJEUNE</b> <b>ENLARGED SITE PLAN-STORMWATER POND</b> NAVFAC DRAWING NO. 60021498 CONST. CONTR. NO. M40085-18-B-0028 SCALE: NOTED SPEC: 05-18-0028		<b>CG102</b> SHEET 05 OF 10	



REVISIONS			
SYM	DATE	APPROVED	
1	NCDEQ COMMENTS	7-26-18	JKA

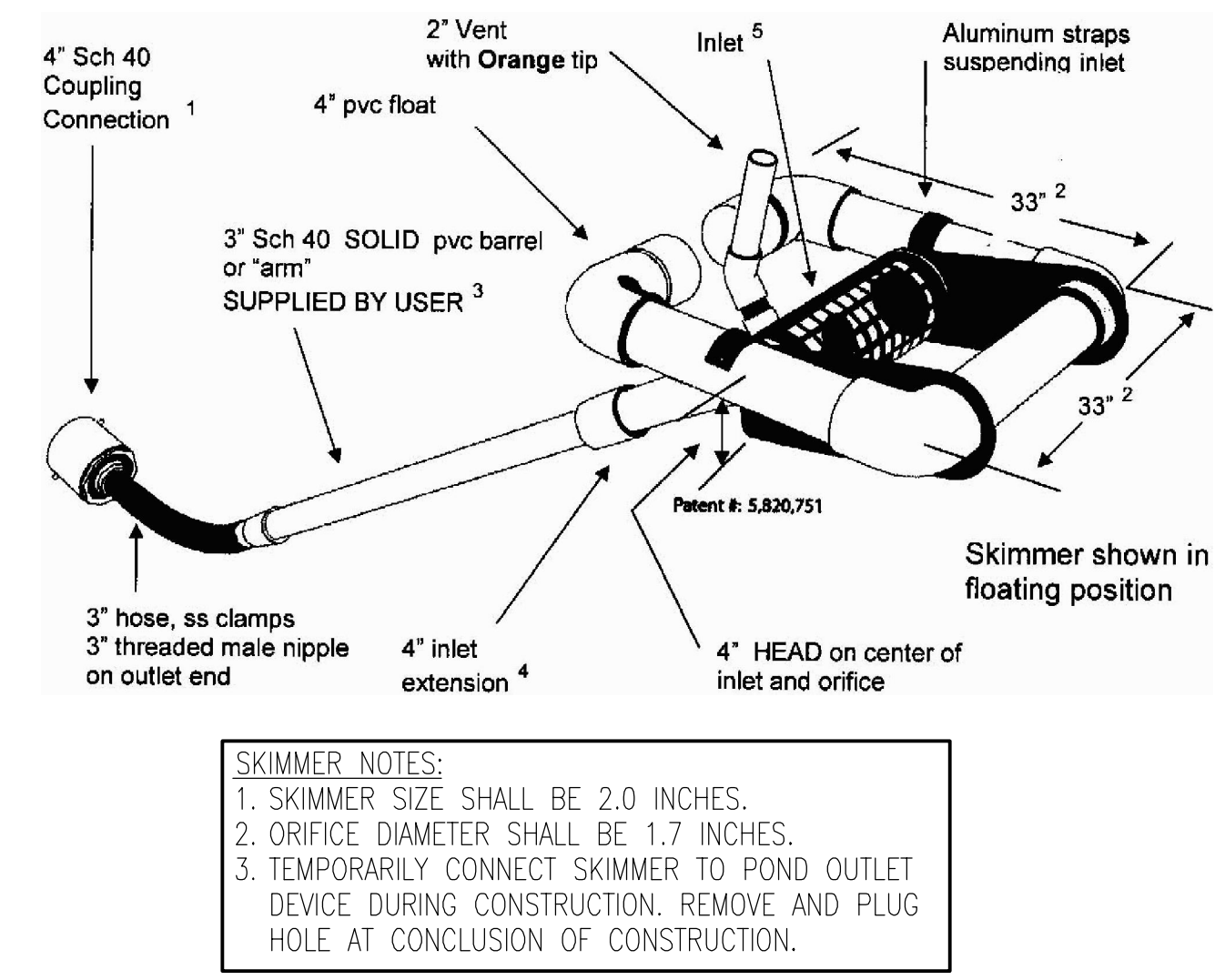
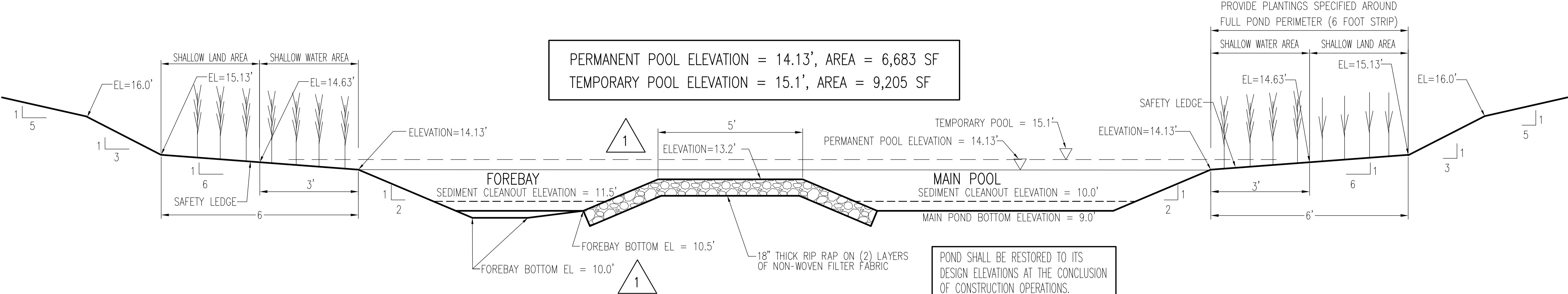


**A** STORMWATER POND OUTLET STRUCTURE  
NOT TO SCALE

MAIN POND	CONTOUR	AREA(SF)	AVG. AREA(SF)	DEPTH	Δ VOL(CF)
	14.13	5105	-	-	-
	14	5031	5068	0.13	659
	13	4474	4753	1	4753
	12	3954	4214	1	4214
	11	3461	3708	1	3708
	10	2995	3228	1	3228
	9	2557	SEDIMENT	1	SEDIMENT
				<b>TOTAL</b>	<b>16,562</b>

CONTOUR	AREA(SF)	AVG. AREA(SF)	DEPTH	Δ VOL(CF)
14.13	1578	-	-	-
14	1531	1555	.13	202
13	1194	1363	1	1363
12	909	1052	1	1052
11.5	782	846	0.5	423
10.5	558	SEDIMENT	1	SEDIMENT
			<b>TOTAL</b>	<b>3,040</b>

STAGE	ELEVATION	AREA(SF)	Δ VOL(CF)	TOTAL VOLUME ABOVE PERMANENT POOL
0 FT	14.13 FT	6683	0	0
0.87 FT	15.0 FT	9070	6853	6853
1.87 FT	16.0 FT	10451	9761	16614



**C** POND SKIMMER DEVICE  
NOT TO SCALE

**PERIMETER SHELF PLANTING REQUIREMENTS:**

**SOIL ANALYSIS AND AMENDMENTS**

- THE CONTRACTOR SHALL BE REQUIRED TO COLLECT A MINIMUM OF TWO SOIL SAMPLES AT A DEPTH OF 6 INCHES FROM SEPARATE AREAS OF THE PERIMETER SHELF AREA OF EACH POND.
- THE SAMPLES SHALL BE SUBMITTED FOR ANALYSIS FOR RECOMMENDED SOIL AMENDMENTS FOR THE PLANTINGS SPECIFIED.
- THE CONTRACTOR SHALL PROVIDE SOIL AMENDMENTS NECESSARY TO ADJUST SOIL pH, ORGANIC CONTENT AND SOIL TEXTURE TO MEET THE FOLLOWING:
  - pH VALUE: 5.5 TO 7.0
  - ORGANIC CONTENT: 5% MINIMUM BY DRY WEIGHT
  - SOIL TEXTURE: LOAMY SAND WITH NO MORE THAN 10% CLAY
- ANY SOIL AMENDMENTS SHALL BE APPLIED AND MIXED INTO THE TOP 6 INCHES OF SOIL DEPTH
- THE SOIL SHALL BE FINE GRADED TO REMOVE ALL STONES OR ROOTS GREATER THAN 1 INCH DIAMETER

**PLANT INSTALLATION AND ESTABLISHMENT**

- THE CONTRACTOR SHALL UTILIZE FRESH, NURSERY RAISED PLANTS AS SPECIFIED IN THE PLANT LIST.
- ALL PLANTS SHALL BE INSTALLED WITHIN 48 HOURS OF RECEIPT FROM THE NURSERY AND SHALL BE MAINTAINED WITH ADEQUATE MOISTURE AND SUN TO MAINTAIN THEIR VITALITY.
- PLANTS SHALL BE INSTALLED BY HAND AT THE SPACING SPECIFIED.
- NEWLY INSTALLED PLANTS SHALL BE WATERED IMMEDIATELY AFTER INSTALLATION UNLESS THEY ARE INSTALLED IN A SUBMERGED SHELF AREA.

**PLANTING RESTRICTIONS**

- PLANTING SHALL ONLY OCCUR DURING THE MONTHS OF APRIL THROUGH JUNE OR SEPTEMBER THROUGH NOVEMBER FOR SHALLOW LAND AREA PLANTINGS. SHALLOW WATER PLANTING SHALL ONLY OCCUR BETWEEN APRIL 1 THROUGH JULY 15.
- FOR STORMWATER PONDS COMPLETED OUTSIDE THIS PLANTING WINDOW, TEMPORARY VEGETATION SHALL BE ESTABLISHED ON THE SHALLOW LAND PLANTING AREAS UNTIL THE PLANTING WINDOW IS REACHED.

**PLANTING MAINTENANCE**

- THE CONTRACTOR SHALL INSPECT ALL PLANTINGS ON A WEEKLY BASIS FOR THE FIRST 60 DAYS AFTER PLANTING. THE CONTRACTOR SHALL WATER ALL PLANTS AS NEEDED TO ENSURE SURVIVAL.
- AFTER 30 DAYS, ANY DISEASED DEAD OR DYING PLANTS SHALL BE REPLACED WITH THE SAME SPECIES.
- THE CONTRACTOR SHALL WARRANT ALL PLANTINGS FOR A MINIMUM PERIOD OF 12 MONTHS AFTER INSTALLATION.

SCIENTIFIC NAME	COMMON NAME	SIZE	PLANTING LOCATION	
			SHALLOW WATER AREA	SHALLOW LAND AREA
IRIS VIRGINICA	BLUE FLAG IRIS	LARGE PLUG		X
PELTANDRA VIRGINICA	ARROW ARUM	LARGE PLUG		X
SAGITTARIA LANCIFOLIA	BULLTONGUE	LARGE PLUG	X	
SAGITTARIA LATIFOLIA	DUCK POTATO	LARGE PLUG	X	
SPARGANIUM AMERICANUM	BUR-REED	LARGE PLUG	X	
ZIZANIOPSIS MILIACEA	WATER MILLET	LARGE PLUG		X

PROVIDE EVEN NUMBER OF SPECIES PLANTED AT 18" O.C. IN ALL DIRECTIONS WITHIN PERIMETER SHELF. PROVIDE A MIXTURE OF EACH PLANT SPECIES SO AS TO PROVIDE APPROXIMATELY 33% COVERAGE OF THE PERIMETER SHELF IN EACH PLANTING ZONE WITH SPECIES SPECIFIED FOR EACH PLANTING ZONE.

**B** STORMWATER POND CROSS SECTION  
NOT TO SCALE

**DISCLOSURE OF INFORMATION**

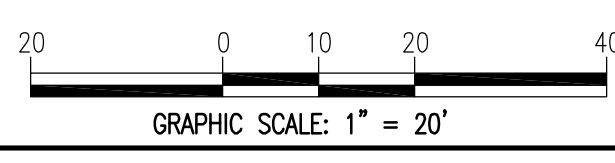
THE CONTRACTOR SHALL COMPLY AS FOLLOWS:

A. THE CONTRACTOR SHALL NOT RELEASE TO ANYONE OUTSIDE THE CONTRACTOR'S ORGANIZATION ANY UNCLASSIFIED INFORMATION, REGARDLESS OF THE MEDIUM (E.G. FILM, TAPE, DOCUMENT), PERTAINING TO ANY PART OF THIS CONTRACT OR ANY PROGRAM RELATED TO THIS CONTRACT, UNLESS

- THE CONTRACTING OFFICER HAS GIVEN PRIOR WRITTEN APPROVAL; OR
- THE INFORMATION IS OTHERWISE IN THE PUBLIC DOMAIN BEFORE THE DATE OF RELEASE.

B. REQUESTS FOR APPROVAL SHALL IDENTIFY THE SPECIFIC INFORMATION TO BE RELEASED, THE MEDIUM TO BE USED, AND THE PURPOSE FOR THE RELEASE. THE CONTRACTOR SHALL SUBMIT ITS REQUEST TO THE CONTRACTING OFFICER AT LEAST 45 DAYS BEFORE THE PROPOSED DATE OF RELEASE.

C. THE CONTRACTOR AGREES TO INCLUDE A SIMILAR REQUIREMENT IN EACH SUBCONTRACT UNDER THIS CONTRACT. SUBCONTRACTORS SHALL SUBMIT REQUESTS FOR AUTHORIZATION TO RELEASE THROUGH THE PRIME CONTRACTOR TO THE CONTRACTING OFFICER.



AVOLIS ENGINEERING, P.A. P.O. BOX 15564 NEW BERN, NC 28561 PH: (252) 833-0088 DES. J. K. AVOLIS, P.E. DR. MSP / WFF CHK. J. C. AVOLIS, P.E. SUBMITTED BY: DESIGN DIR. T. H. BURTON, P.E. APPROVED: PWO OR DICC SATISFACTORY TO:		<b>CG301</b> DEPARTMENT OF THE NAVY - NAVAL FACILITIES ENGINEERING COMMAND <b>MARINE CORPS BASE</b> CAMP LEJEUNE, NORTH CAROLINA <b>DESIGN ADDITIONAL PATIENT PARKING, AREA D, NH100</b> <b>MARINE CORPS BASE CAMP LEJEUNE</b> <b>CROSS SECTION &amp; DETAILS-STORMWATER POND</b> NAVFAC DRAWING NO. 60021499 CONST. CONTR. NO. M40085-18-B-0028 SCALE: NOTED SPEC: 05-18-0028	